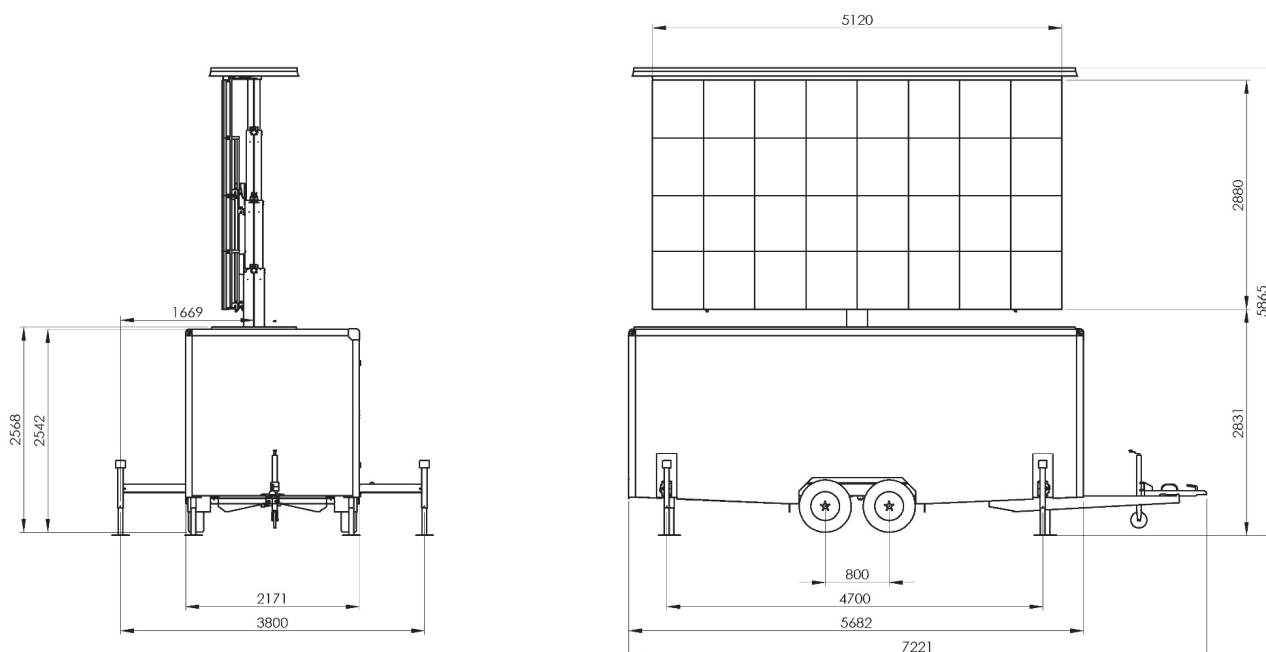


Product specification



Maximum wind speed	m/s	15
Allowable total weight	kg	3500
Maximum design speed	km/h	70
Serial number		097
VIN		SU9SC3500G1SL2065
Registration number		CIN02K7
Trailer type		Special
Wheels		4 x 185R14
Towbar	kg	3500 KNOTT KFG35
Strength of the outriggers	kg	3000/pc KNOTT DG701
Electric voltage of the screen power supply	V	400

Technical characteristics of the hydraulic unit:

Motor type	SLh-90-4L
Motor power	N=1.5 kW
Motor rated voltage	230V/400V (Δ/Y)
Frequency	50 Hz

M15FON_01.10.2016

SCREEN-LED Sp. z o. o. ul. Młyńska 30, 88-100 Inowrocław
tel/fax. +48 52 524 35 10, www.screen-led.com, office@screen-led.com
Office and warehouse: ul. Marcinkowskiego 121, 88-100 Inowrocław